

LNA-1000 Series Quick Installation Guide

Version 1.0 November 2023

Technical Support Contact Information
www.moxa.com/support

MOXA[®]

© 2023 Moxa Inc. All rights reserved.

P/N: 1802000101010



Overview

The LNA-1000 Series low-noise amplifier modules are designed to amplify the performance and sensitivity of weak signals while minimizing the introduction of additional noise. The LNA-1000 Series modules are suitable for a wide variety of communications and signal processing applications.

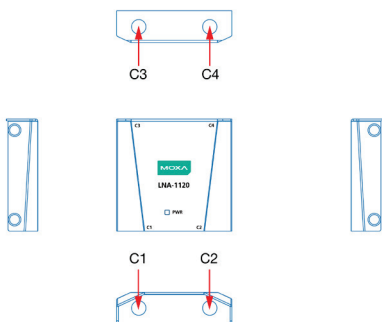
The LNA module employs advanced circuitry to achieve high gain and low noise. These modules operate in the radio frequency (RF) range and can amplify weak signals from antennas, or other sources with minimal distortion.

Package Checklist

Your LNA-1000 Series device is shipped with the following items. If any of these items are missing or damaged, please contact your customer service representative for assistance.

- 1 LNA-1000 Series low-noise amplifier
- Wall-mounting kit (pre-installed)
- Quick installation guide (printed)
- Warranty card

Panel Layouts



C1: CCG-1500 Series device connector and power input

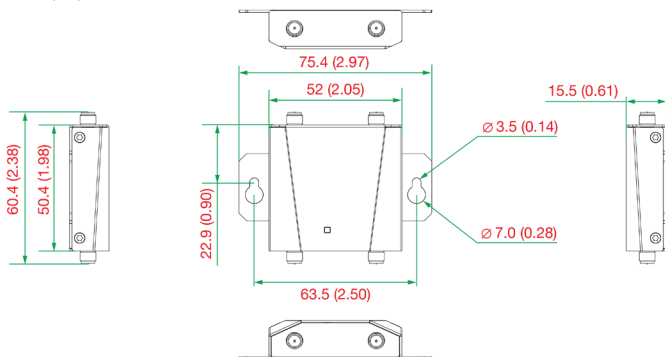
C2: CCG-1500 Series device connector

C3: Antenna connector 1

C4: Antenna connector 2

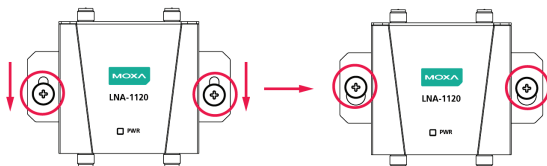
Device Dimensions

Unit: mm (inch)



Mounting the LNA-1000 Series on a Wall

The LNA-1000 Series can be mounted onto a wall using two M3 screws. The wall-mounting kit is attached to the device by default. Use the LNA-1000 Series to mark the location of the two screws. Drill the screws into the marks, leaving some space. Mount the LNA-1000 Series onto the screws. Fasten the screws to secure the module to the wall.



LED Indicators

The LNA-1000 Series features a single power LED indicator on the front panel.

LED	Color	State	Description
PWR	Green	On	The device is powered on.
		Off	The device is powered off.

Connecting the Antennas

NOTE Make sure to connect cables and antennas to the appropriate connectors on the LNA and CCG device. Connecting to the wrong connector may affect the performance of the module.

Connect the antennas to the C3 and C4 connectors on the top panel of the LNA-1000 Series module. The LNA-1000 Series uses the same antennas as the CCG-1500 Series gateways.



Connecting to the CCG-1500 Series Gateways

The LNA-1000 Series is powered by the CCG-1500 Series gateway via RF cable.

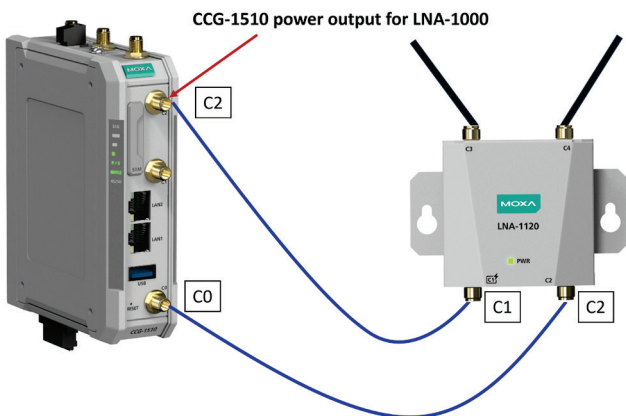
NOTE Make sure to connect cables and antennas to the appropriate connectors on the LNA and CCG device. Connecting to the wrong connector may affect the performance of the module.

NOTE Antenna cables are not included in the product package and must be purchased separately. The cables should meet the following specifications:

- SMA(M)-SMA(M) RF cable with a frequency coverage of at least 6 GHz

Connecting to CCG-1510 Models

To connect the LNA module to CCG-1510 models, use a suitable SMA-type antenna cable to connect the C1 and C2 connectors on the LNA module to the C2 and C0 connectors on the CCG-1510 gateway, respectively. Refer to the following figure.



Connecting to CCG-1520 Models

To connect the LNA module to CCG-1520 models, use a suitable SMA-type antenna cable to connect the C1 and C2 connectors on the LNA module to the C0 and C3 connectors on the CCG-1520 gateway, respectively. Refer to the following figure.

