

1

2

3

4

5

6

7

8

A

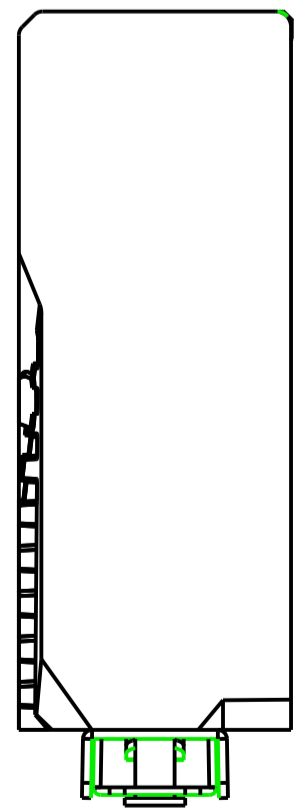
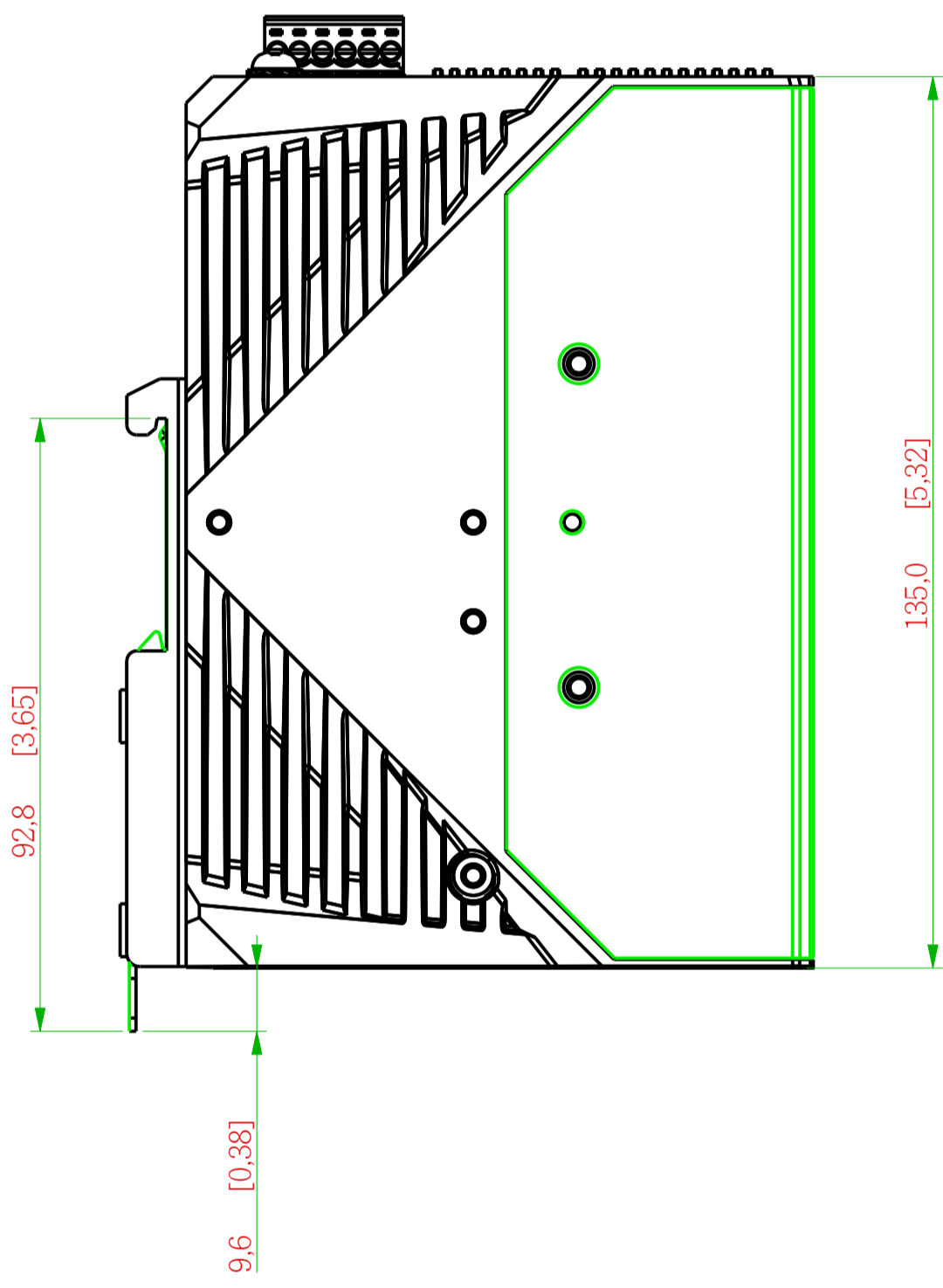
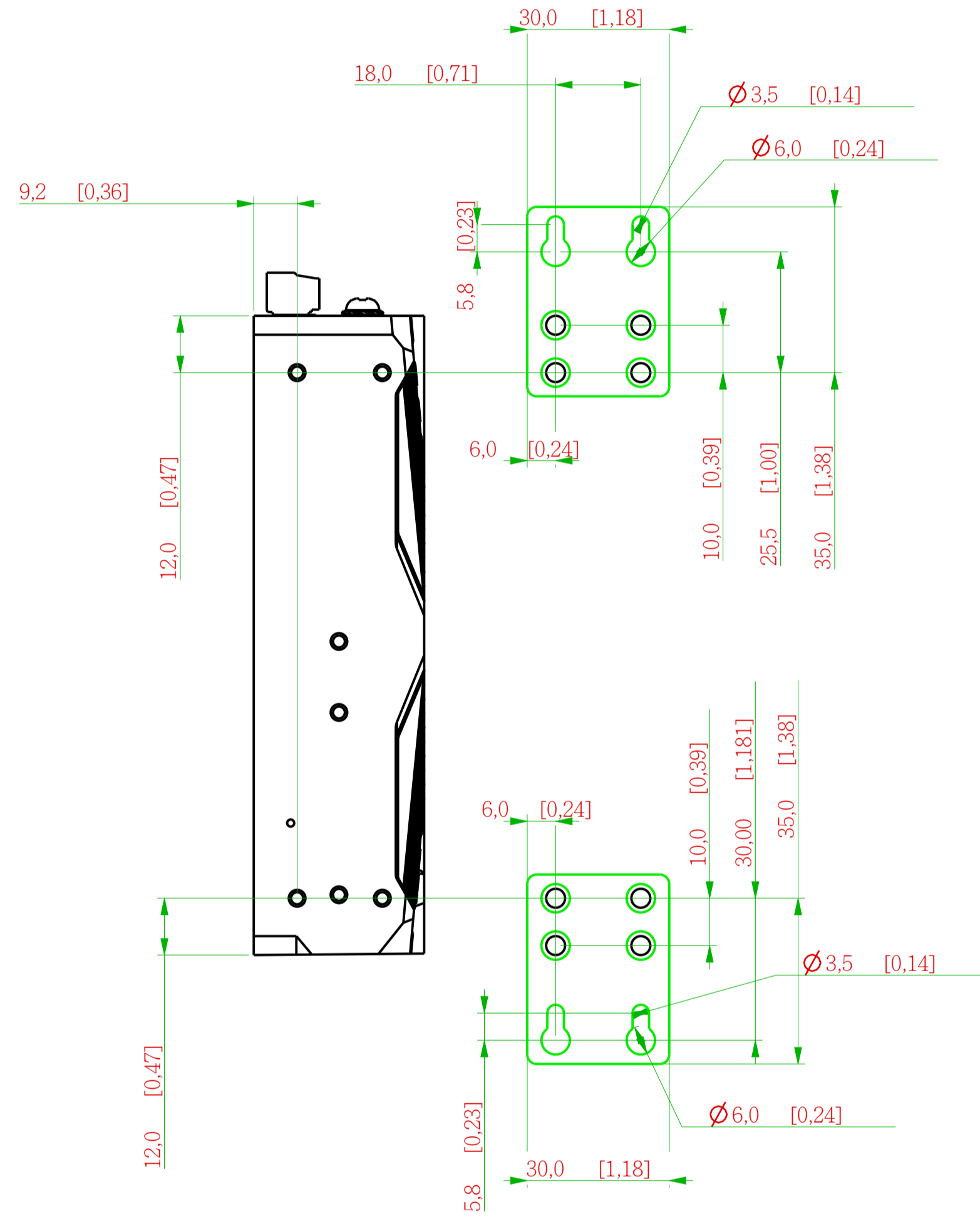
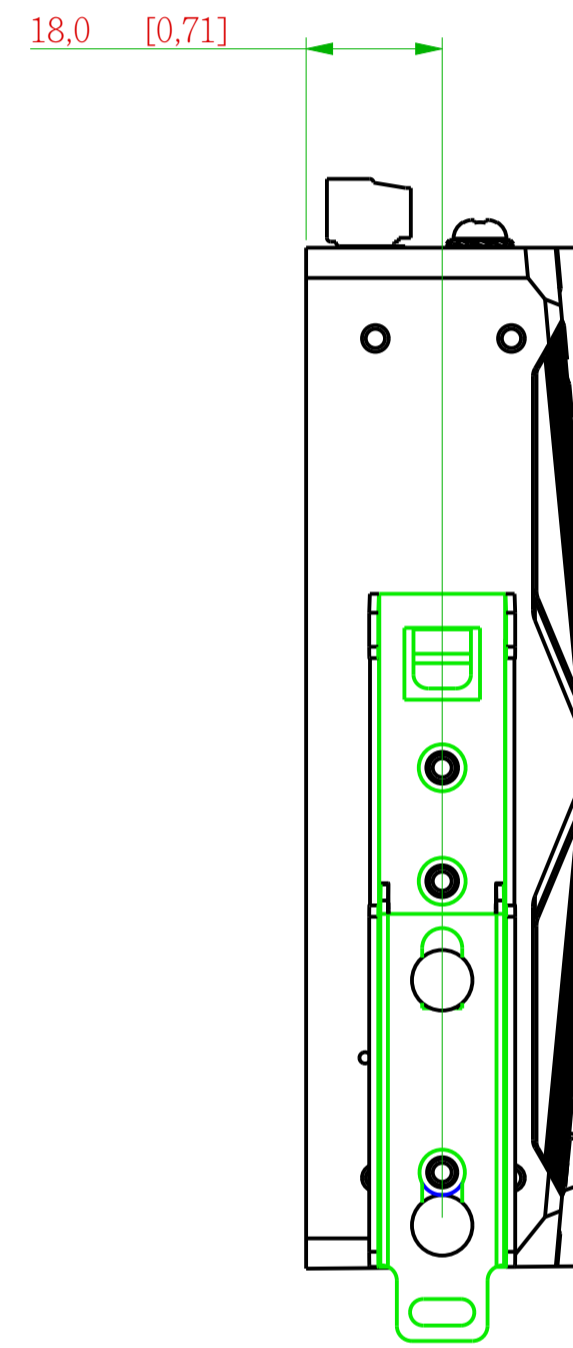
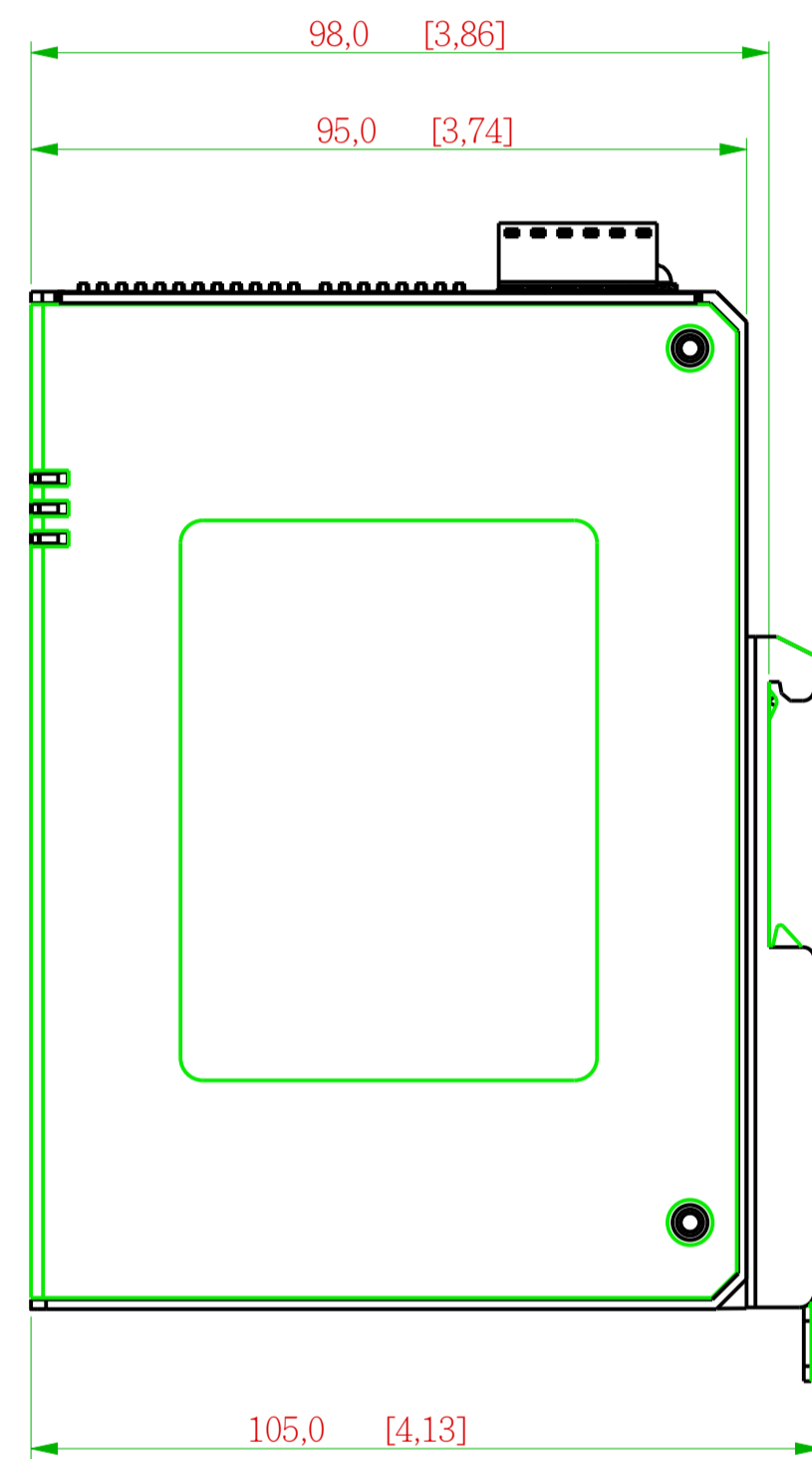
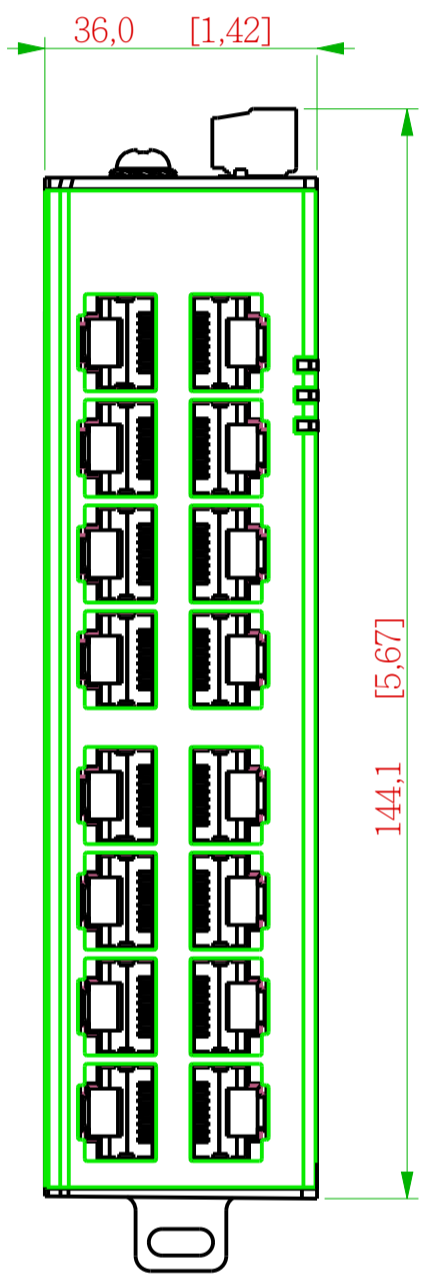
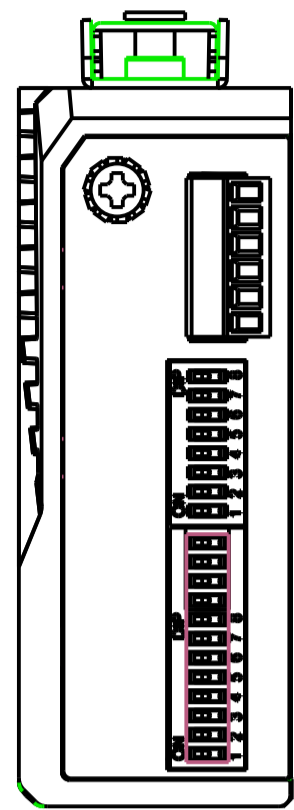
B

C

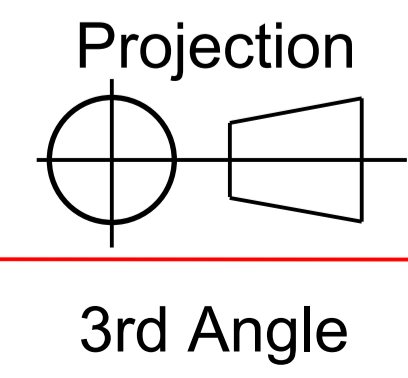
D

E

F



**MOXA®**  
 Tel:+886-2-89191230  
 Fax:+886-2-89191231  
 www.moxa.com



Projection	Unit	mm/inch
3rd Angle	Scale	1,000
	Note	

Product Model	EDS-2016-ML
Drawn Name	2D_DIM_EDS_2016_ML_PZ